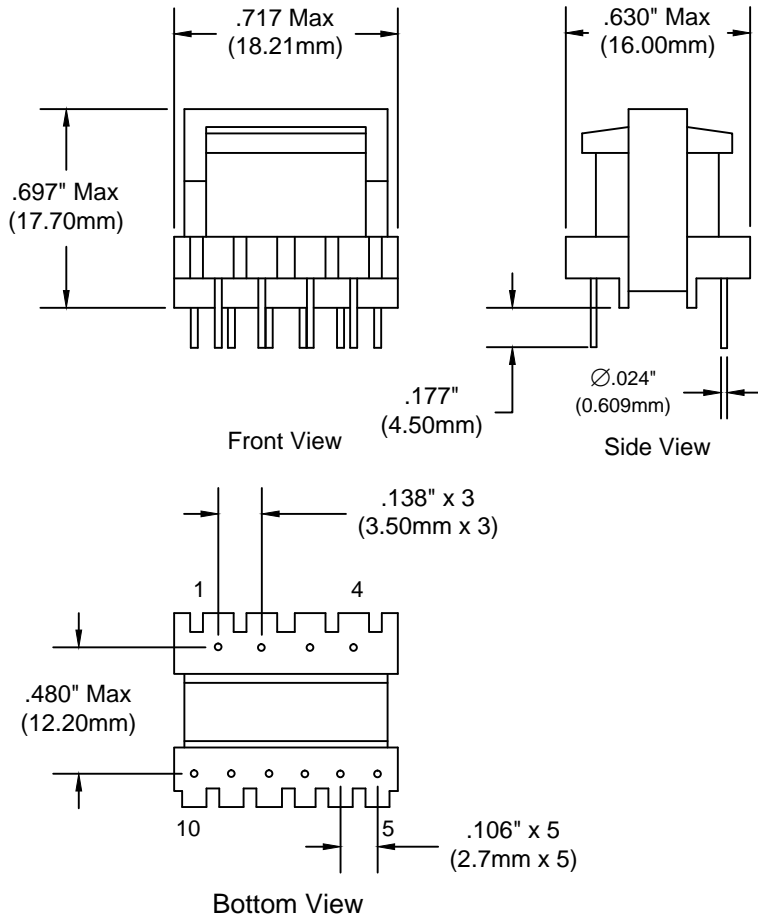
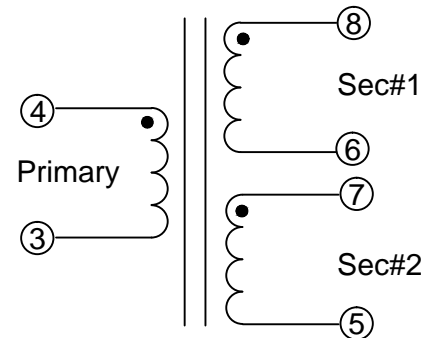


- SWITCHMODE THRU-HOLE TRANSFORMER DESIGNED FOR USE WITH POWER INTEGRATIONS TNY255 TINYSWITCH APPLICATION.
- PER EN60950, >5.0mm.
- 5.5W MAXIMUM.



Electrical Specifications @ 25°C :

Turns Ratio Pri: Sec#1: Sec#2 = 1 : 0.08 : 0.08
 DC Resistance Pri: 1.84 - 2.76Ω
 DC Resistance Each Sec: 0.030 - 0.050Ω
 Lpri (3 - 4) : 2.01 mH +/- 10% @ 10 KHz
 Leakage Inductance (3 - 4) : 100 μH Max @ 100 KHz Secondary windings shorted
 Dielectric Strength : 4000 Vrms Pri-Sec
 Bobbin Material : UL 94-V0
 Pri-Sec Creepage Distance Per EN60950 >5.0mm;
 Reinforced Insulation; 250Vrms working voltage



REVISIONS

DATE	REV	DESCRIPTION	APPV'D
12/03/2015	-1	Corrected length and pin diameter, were 18.2mm & .6mm	Tjk

PREM[®]
MAGNETICS INCORPORATED

CUSTOM ENGINEERED MAGNETIC COMPONENTS
 Johnsburg, Illinois
 3521 N.CHAPEL HILL RD. / McHENRY, ILLINOIS 60051

SCALE : 1 : 2.25

APPROVED BY :

DRAWN BY : G.G.

DATE : 10/02/02

Gary Garcia

REVISED :

Ac to Dc Converter Transformer p/n SPP-3006

Designed for Tny255 Chip up to 5.5W ; 85 - 265Vac, 2 DC outputs from 6Vdc up to 12Vdc or 1 DC output from 12Vdc up to 24Vdc

DRAWING NUMBER

A-3006 - 1